

FiltraMemb®

# FiltraMemb®

2x25 m<sup>3</sup>/h



**DANTECH**  
DANISH TECHNOLOGY CENTER

## 2x25 m<sup>3</sup>/h Complete Nano Filtration System

Capacity: 50,000 L/h

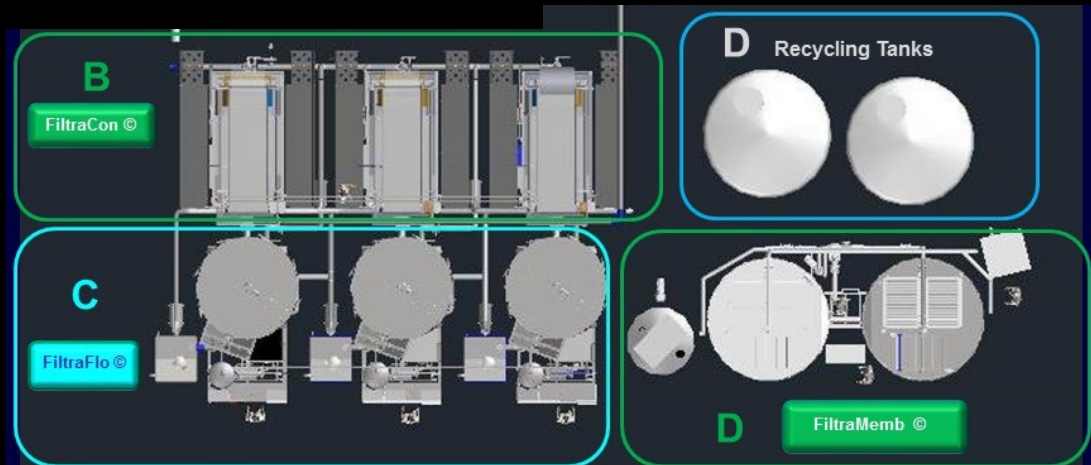
Recirculation: approx. 100,000 L/h

Standard Modular nanofiltration system for industrial waste Water treatment

DANTECH's standard modular FiltraCon® systems wide range. With the new FiltraMemb® system, they now range from **0.2 to 1200µ**.

- > High reduction of S/S Solid
- > High reduction of FOG
- > Removal of colour fraction

## FiltraMemb®



			
COD mg/l	7000 mg/l	1700 mg/l	1250 mg/l
S/S mg/l	3000 mgL	300 mg/l	15 mg/l
FOG FAT	1000 mg/l	150 mg/l	20 mg/l

The FiltraMemb® 2x25 m<sup>2</sup> (or 1 only FiltraMemb® 25m<sup>2</sup>/h) is a complete nanofiltration system used for the removal of solids, fat and colour after the FiltraCon® and FiltraFlo® systems. Please, see the above layout of a complete waste water treatment plant incl. the FiltraMemb® systems. The capacity of each FiltraCon® and FiltraFlo® in series is 70 m<sup>3</sup>/h. In parallel it is 200 m<sup>3</sup>/h.

The FiltraMemb® nanofiltration system is primarily used to achieve very low solids S/S and FOG (fat) levels in accordance with effluent outlet directives and for neutralising blood and other colours in waste water.

The systems are made in Stainless Steel AISI 316 for the food industry.



**DANTECH**  
DANISH TECHNOLOGY CENTER

DANTECH

Danish Technology Center

Vedbaek Strandvej 425 - DK-2950 Denmark - Tel. +45 45 76 36 36

Email: [info@dantech.com](mailto:info@dantech.com) - [www.dantech.com](http://www.dantech.com)